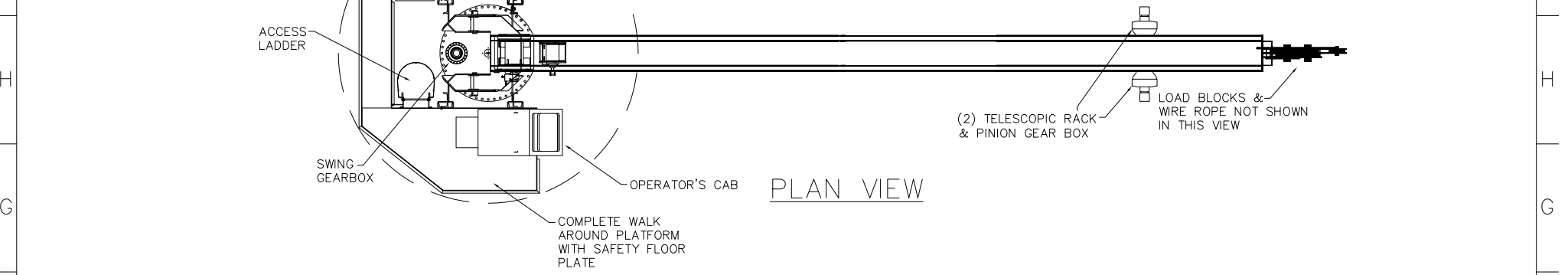
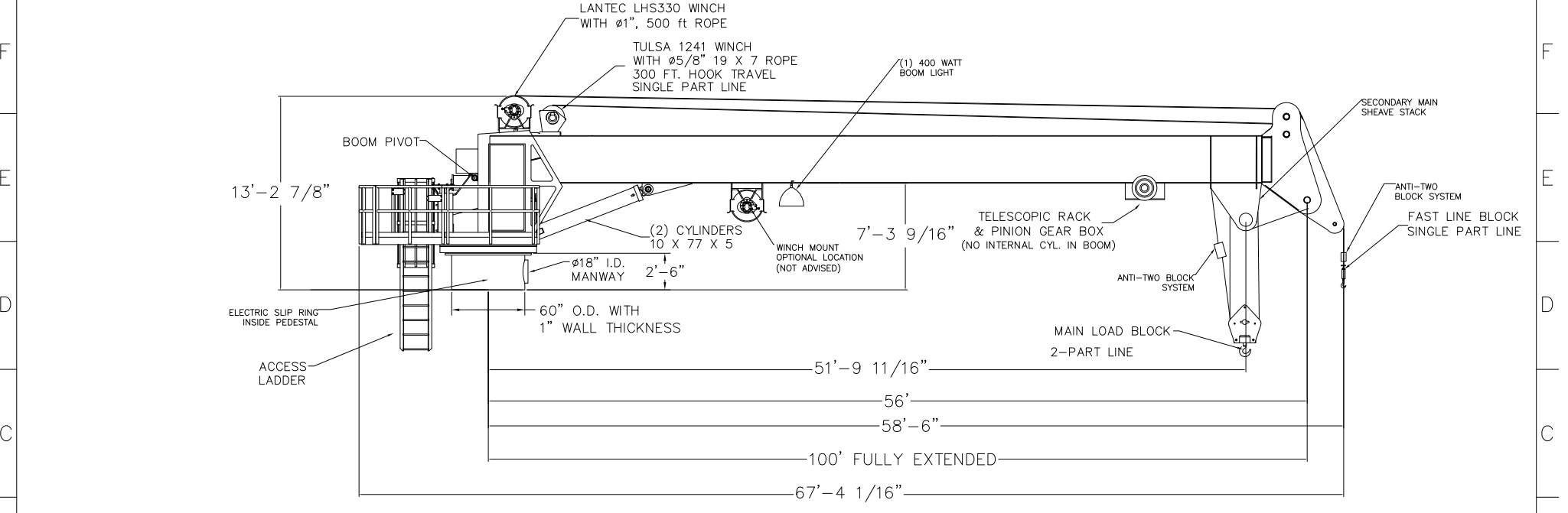


1 2 3 4 5 6 7 8 9 10 11 12 13

J H G F E D C B A



PLAN VIEW



ELEVATION VIEW

- NOTES:
1. CRANE WILL HAVE 360° CONTINUOUS ROTATION VIA 2 PORT HYDRAULIC SWIVEL UNLESS OTHERWISE SPECIFIED.
 2. CRANE WILL BE POWERED BY AN ONBOARD HYDRAULIC POWER PACK UNIT.
 3. HYDRAULIC HOSES & FITTINGS NOT SHOWN IN VIEWS FOR CLARITY.

TOLERANCE UNLESS OTHERWISE SPECIFIED	
.X	±.03"
.XX	±.015"
.XXX	±.0015"
.XXXX	±.0005"
X/X	±1/32"
DIMENSIONS IN INCHES	
[] INDICATES MILLIMETERS	

MATERIAL: QTY:

PHONE (985) 871-0056
Techcrane International, LLC.
 17639 HARD HAT DR. COVINGTON, LA. 70435 USA

T80-56-100 General Arrangement

PART NO: Presentation
 FILE NAME: \\T60 Series\T80-56-100 GA.dwg

INFORMATION CONTAINED HEREON IS CONFIDENTIAL AND TRADE SECRET.
 DO NOT DISCLOSE, USE OR REPRODUCE WITHOUT PRIOR WRITTEN APPROVAL FROM TECHCRANE GLOBAL CORPORATION

DRAWN BY: N.Polasa DATE: 02/05/2013
 DESGN. BY: D. Shad SCALE: None SHT: 1 of 1
 APP'D BY: DWG. VER: 2.2

1 2 3 4 5 6 7 8 9 10 11 12 13