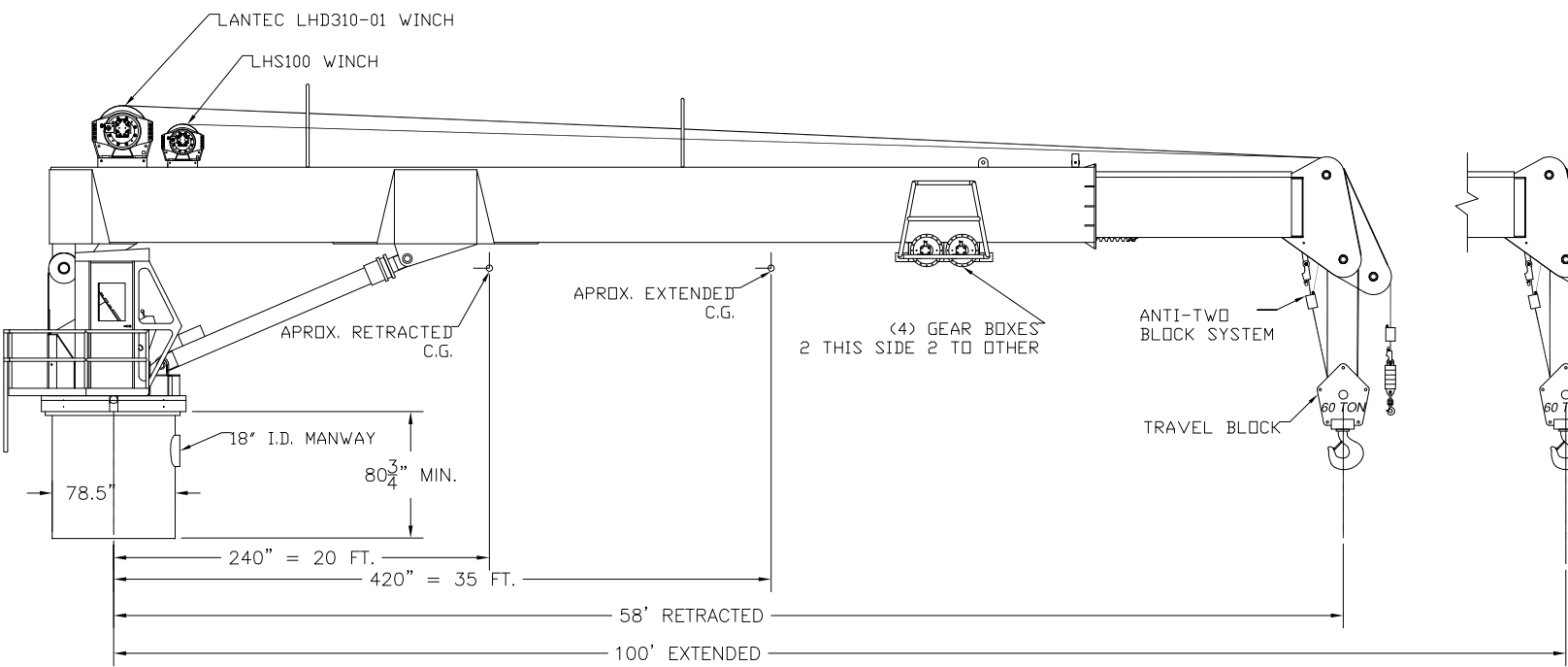
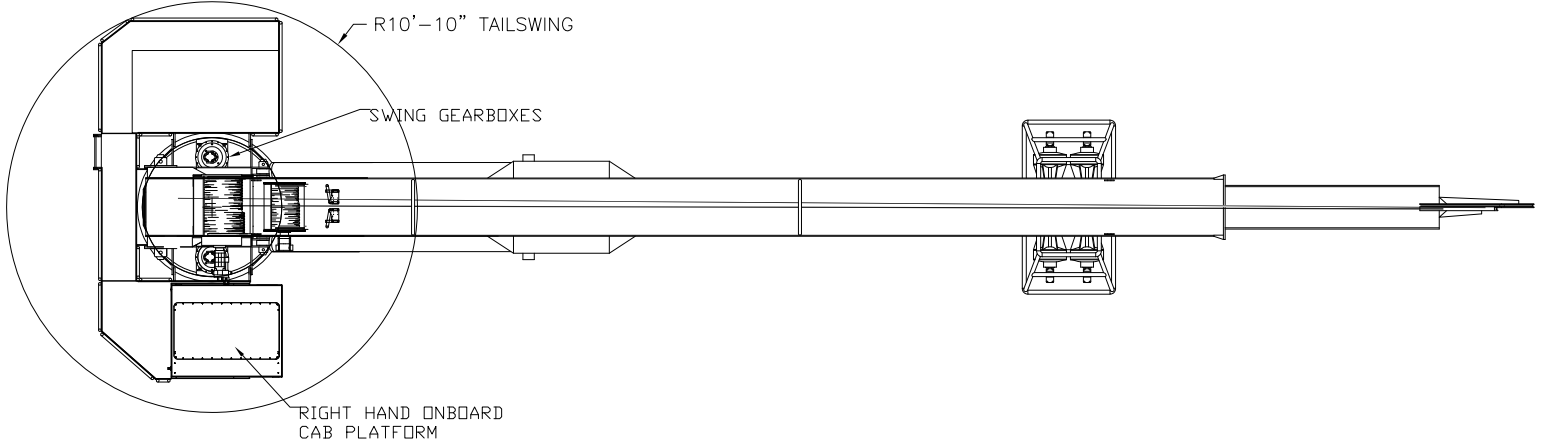


1 2 3 4 5 6 7 8 9 10 11 12 13

PRESENTATION



\*MAX O.T.M. = 699 TM  
 \*AXIAL FORCE @ MAX O.T.M. = 64 T  
 \*MAX AXIAL FORCE = 94 T  
 \*O.T.M. @ MAX AXIAL FORCE = 218 TM

TOLERANCE UNLESS OTHERWISE SPECIFIED	
.X	±.03"
.XX	±.015"
.XXX	±.0015"
.XXXX	±.0005"
X/X	±1/32"
DIMENSIONS IN INCHES	
[ ]	INDICATES MILLIMETERS

MATERIAL:		QTY:	
PHONE (985) 871-0056 <b>Techcrane International, LLC.</b> 17639 HARD HAT DR. COVINGTON, LA. 70435 USA T120-58-100 G.A. OFFSHORE LIFTBOATS - PRELIMINARY			
DRAWN BY:	L. Baylis	DATE:	11/19/13
DESGN. BY:	F. Shad	SCALE:	None
APP'D BY:		SHT:	1 of 1
		DWG. VER:	2.1

PART NO:	Presentation
FILE NAME:	X:\CONRAD\T120-56-100 GA.dwg

INFORMATION CONTAINED HEREON IS CONFIDENTIAL AND TRADE SECRET.  
 DO NOT DISCLOSE, USE OR REPRODUCE WITHOUT PRIOR WRITTEN APPROVAL FROM TECHCRANE GLOBAL CORPORATION

NOTE: FOR REFERENCE ONLY.  
 MAY NOT REFLECT ALL OPTIONS QUOTED.  
 \* BASED ON RATED LOAD

1 2 3 4 5 6 7 8 9 10 11 12 13