


INFORMATION CONTAINED HEREON IS CONFIDENTIAL AND TRADE SECRET DO NOT DISCLOSE, USE OR REPRODUCE WITHOUT PRIOR WRITTEN APPROVAL FROM TECHCRANE INTERNATIONAL LLC. UNLESS OTHERWISE SPECIFIED ALL DIMENSIONS ARE IN INCHES [] INDICATES MILLIMETERS TOLERANCES FRACTIONAL DIMENSIONS +1/16/-0 SURFACE FINISHES 125V	DESIGNED BY:	F. SHAD	MATERIAL NOTES: 1. BURN PER DIMENSIONS SHOWN. 2. PLATE FLATNESS AFTER BURNING TO BE WITHIN ASTM SPECIFICATIONS. 3. REFER TO API SPEC 2C LATEST EDITION. 4. WHERE APPLICABLE - ROLL FORM PER DIMENSIONS SHOWN. 5. WHERE APPLICABLE - TACK WELD AS REQUIRED TO SECURE ROLLED CAN.	
	DRAWN BY:	lbyaltis		
	WEIGHT:	APPROX. 58271 lbmass	DESIGN STATE:	WorkInProgress
	APPROVED BY:	SEE APPROVAL STAMP	MATERIAL:	
	FILE NAME:	C:\Work\Design\1 PARTS\300 BOOM\K SERIES PRELIMINARY\K80-70 ASSY.am		

TECHCRANE INTERNATIONAL, LLC.
 17639 HARD HAT DRIVE COVINGTON, LA. 70435 U.S.A.
 PHONE (985) 871-0056 FAX (985) 871-0065

K80-70 GENERAL ARRANGEMENT

DATE:	REVISION NO.:	CO NO.:
12/15/2015	3.0	

SHEET 1 OF 3

PART/DWG. NO.: **PRESENTATION**

4

3

2

1

D

D

C

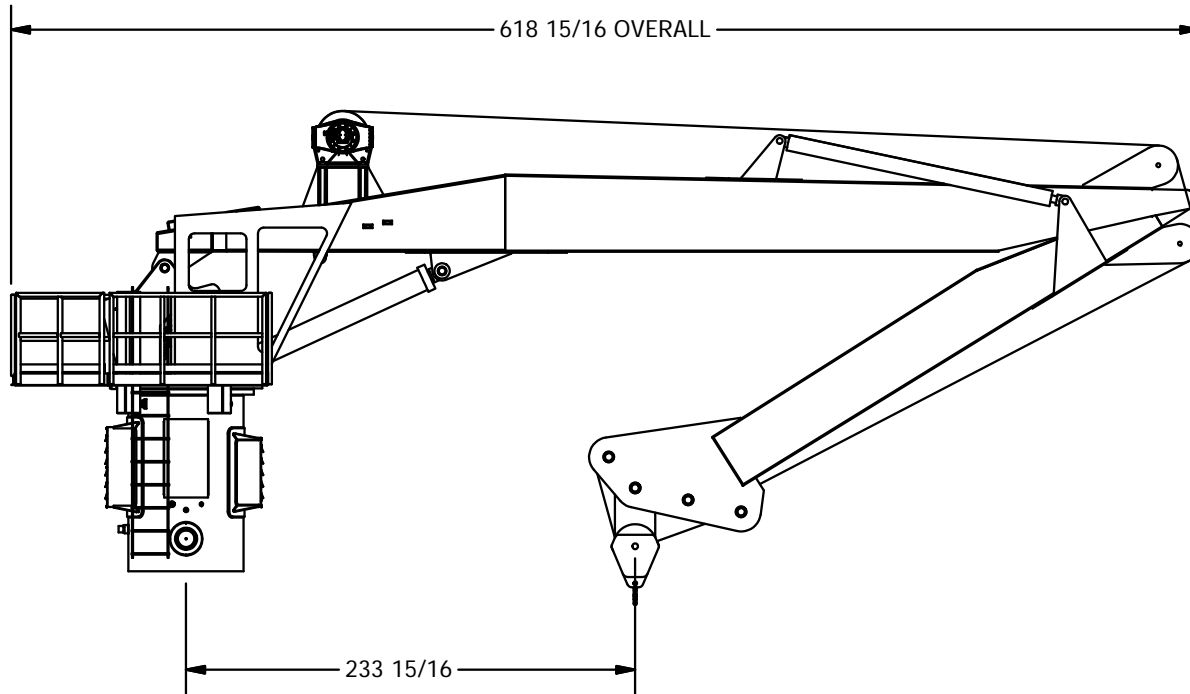
C

B

B

A

A



PART/DWG. NO.:

PRESENTATION

INFORMATION CONTAINED HEREON IS CONFIDENTIAL AND TRADE SECRET DO NOT DISCLOSE, USE OR REPRODUCE WITHOUT PRIOR WRITTEN APPROVAL FROM TECHCRANE INTERNATIONAL LLC.


UNLESS OTHERWISE SPECIFIED ALL DIMENSIONS ARE IN INCHES [] INDICATES MILLIMETERS

TOLERANCES

FRACTIONAL DIMENSIONS +1/16/-0 SURFACE FINISHES 125V

DESIGNED BY:	F. SHAD
DRAWN BY:	l baylis
WEIGHT:	APPROX. 58271 lbmass
APPROVED BY:	SEE APPROVAL STAMP
FILE NAME:	C:\Work\Design\1 PARTS\300 BODOMK SERIES PRELIMINARY\K80-70 ASSY.am

MATERIAL NOTES:	1. BURN PER DIMENSIONS SHOWN. 2. PLATE FLATNESS AFTER BURNING TO BE WITHIN ASTM SPECIFICATIONS. 3. REFER TO API SPEC 2C LATEST EDITION. 4. WHERE APPLICABLE - ROLL FORM PER DIMENSIONS SHOWN. 5. WHERE APPLICABLE - TACK WELD AS REQUIRED TO SECURE ROLLED CAN.
DESIGN STATE:	WorkInProgress
MATERIAL:	

 TECHCRANE INTERNATIONAL, LLC. 17639 HARD HAT DRIVE COVINGTON, LA. 70435 U.S.A. PHONE (985) 871-0056 FAX (985) 871-0065		
K80-70 GENERAL ARRANGEMENT		
DATE:	REVISION NO.:	CO NO.:
12/15/2015	3.0	
SHEET 2 OF 3		

4

3

2

1

A

4

3

2

1

D

D

C

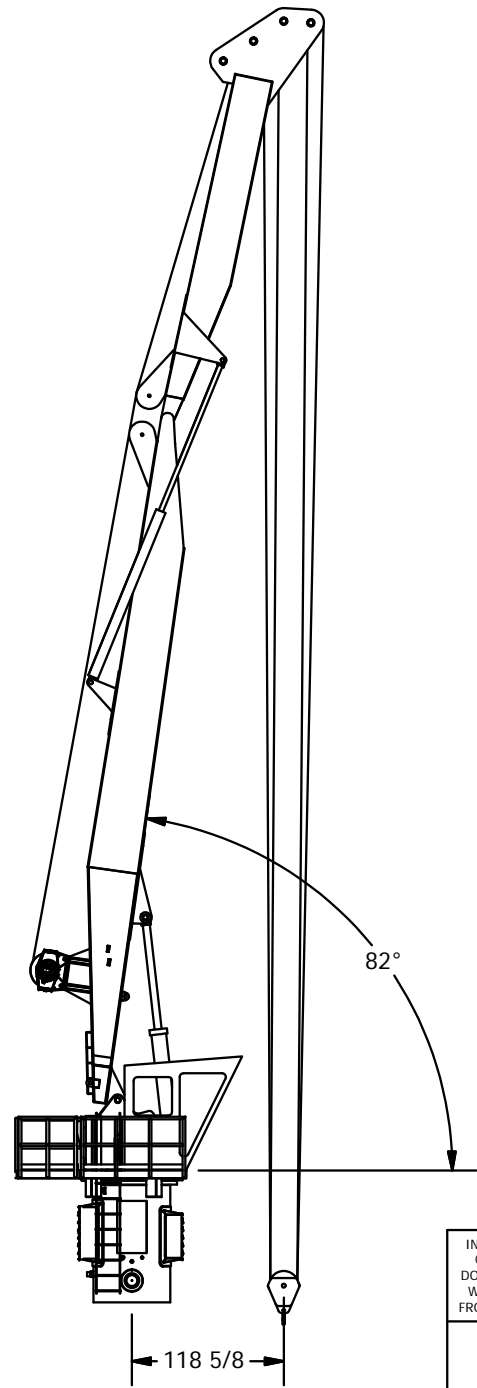
C

B

B

A

A



INFORMATION CONTAINED HEREON IS
 CONFIDENTIAL AND TRADE SECRET
 DO NOT DISCLOSE, USE OR REPRODUCE
 WITHOUT PRIOR WRITTEN APPROVAL
 FROM TECHCRANE INTERNATIONAL LLC.

UNLESS OTHERWISE SPECIFIED
 ALL DIMENSIONS ARE IN INCHES
 [] INDICATES MILLIMETERS

TOLERANCES
 FRACTIONAL DIMENSIONS $\pm \frac{1}{16} / -0$
 SURFACE FINISHES 125V

DESIGNED BY:
 F. SHAD

DRAWN BY:
 lbaylis

WEIGHT:
 APPROX. 58271 lbmass

APPROVED BY:
 SEE APPROVAL STAMP

FILE NAME:
 C:\Work\Design\1 PARTS\300 BODOMK SERIES PRELIMINARY\K80-70 ASSY.am

MATERIAL NOTES:
 1. BURN PER DIMENSIONS SHOWN.
 2. PLATE FLATNESS AFTER BURNING TO BE
 WITHIN ASTM SPECIFICATIONS.
 3. REFER TO API SPEC 2C LATEST EDITION.
 4. WHERE APPLICABLE - ROLL FORM PER
 DIMENSIONS SHOWN.
 5. WHERE APPLICABLE - TACK WELD AS
 REQUIRED TO SECURE ROLLED CAN.

DESIGN STATE:
 WorkInProgress

MATERIAL:

TECHCRANE INTERNATIONAL, LLC.
 17639 HARD HAT DRIVE COVINGTON, LA. 70435 U.S.A.
 PHONE (985) 871-0056 FAX (985) 871-0065

K80-70 GENERAL ARRANGEMENT

DATE:
 12/15/2015

REVISION NO.:
 3.0

CO NO.:

SHEET 3 OF 3

PART/DWG. NO.:
PRESENTATION

4

3

2

1