

STOWED POSITION

- NOTES:**
1. THE INFORMATION PROVIDED IN THIS DOCUMENT IS INTENDED FOR INFORMATIONAL PURPOSES ONLY AND IS SUBJECT TO CHANGE WITHOUT NOTICE.
 2. WEIGHT SHOWN IS APPROXIMATE AND DOES NOT INCLUDE WELD, WIRE ROPE, HARDWARE AND MISCELLANEOUS PARTS.
 3. HOSE HANDLING CONFIGURATION IS AVAILABLE.

PART/DWG. NO.: **K0060-3020-10-GA**

INFORMATION CONTAINED HEREON IS CONFIDENTIAL AND TRADE SECRET DO NOT DISCLOSE, USE OR REPRODUCE WITHOUT PRIOR WRITTEN APPROVAL FROM TECHCRANE INTERNATIONAL LLC.

UNLESS OTHERWISE SPECIFIED ALL DIMENSIONS ARE IN INCHES () INDICATES MILLIMETERS

TOLERANCES

FRACTIONAL DIMENSIONS + $\frac{1}{32}$ -0 SURFACE FINISHES 125 $\sqrt{}$

FILE NAME: C:\WORK\DESIGN\10 RAD\K SERIES\K00-3020-15 GENERAL ARRANGEMENT.dwg

DESIGNED BY: F. SHAD

DRAWN BY: lbaylis

WEIGHT: 31501 lbmass


APPROVED BY: SEE APPROVAL STAMP

DESIGN STATE: WorkInProgress

MATERIAL NOTES:

1. ALL NDE TO BE IN ACCORDANCE AND CALIBRATED TO AWS D1.1.
2. BURN PER DIMENSIONS SHOWN.
3. PLATE FLATNESS AFTER BURNING TO BE WITHIN ASTM SPECIFICATIONS.
4. REFER TO API SPEC 2C LATEST EDITION
5. WHERE APPLICABLE - ROLL FORM PER DIMENSIONS SHOWN.
6. WHERE APPLICABLE - TACK WELD AS REQUIRED TO SECURE ROLLED CAN.

MATERIAL:

 TECHCRANE INTERNATIONAL, LLC. 17639 HARD HAT DRIVE COVINGTON, LA. 70435 U.S.A. PHONE (985) 871-0056 FAX (985) 871-0065		
K60-60 GENERAL ARRANGEMENT		
DATE: 1/6/2017	REVISION NO.: 3.0	CO NO.:
SHEET 1 OF 3		

4

3

2

1

D

D

C

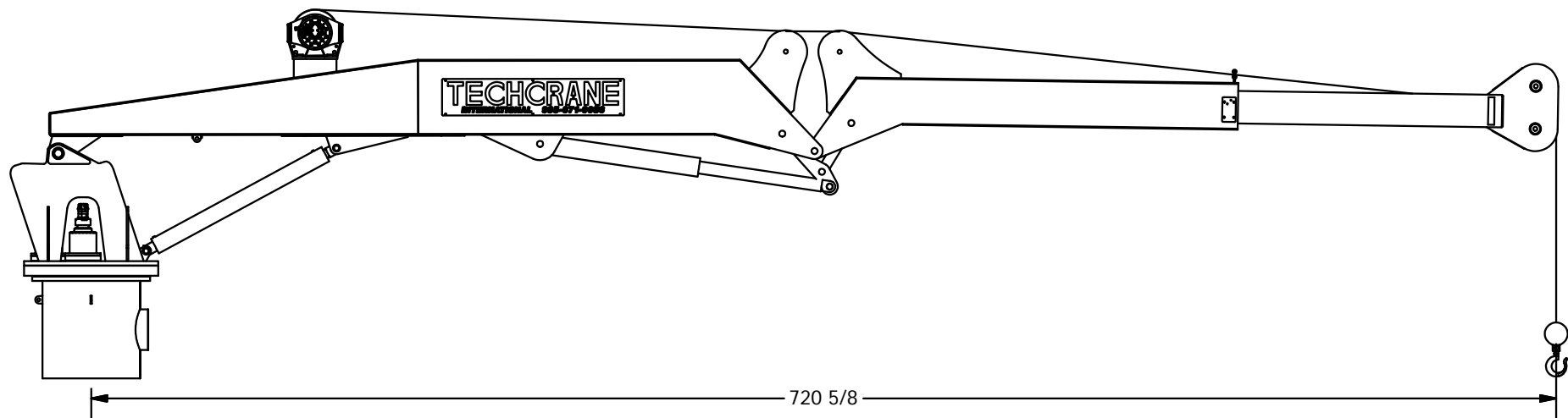
C

B

B

A

A



FULLY EXTENDED

PART/DWG. NO.:

K0060-3020-10-GA

INFORMATION CONTAINED HEREON IS
 CONFIDENTIAL AND TRADE SECRET
 DO NOT DISCLOSE, USE OR REPRODUCE
 WITHOUT PRIOR WRITTEN APPROVAL
 FROM TECHCRANE INTERNATIONAL LLC.

UNLESS OTHERWISE SPECIFIED
 ALL DIMENSIONS ARE IN INCHES
 () INDICATES MILLIMETERS
TOLERANCES

FRACTIONAL DIMENSIONS $+ \frac{1}{32} / -0$
 SURFACE FINISHES 125√

FILE NAME:
 C:\WORK\DESIGN\10 RAD\K SERIES\K60-3020-15 GENERAL ARRANGEMENT.dwg

DESIGNED BY:
 F. SHAD

DRAWN BY:
 lbaylis

WEIGHT:
 31501 lbmass

APPROVED BY:
 SEE APPROVAL STAMP

DESIGN STATE:
 WorkInProgress

MATERIAL NOTES:
 1. ALL NDE TO BE IN ACCORDANCE AND
 CALIBRATED TO AWS D1.1.
 2. BURN PER DIMENSIONS SHOWN.
 3. PLATE FLATNESS AFTER BURNING TO BE
 WITHIN ASTM SPECIFICATIONS.
 4. REFER TO API SPEC 2C LATEST EDITION
 5. WHERE APPLICABLE - ROLL FORM PER
 DIMENSIONS SHOWN.
 6. WHERE APPLICABLE - TACK WELD AS
 REQUIRED TO SECURE ROLLED CAN.

MATERIAL:



TECHCRANE INTERNATIONAL, LLC.

17639 HARD HAT DRIVE COVINGTON, LA. 70435 U.S.A.
 PHONE (985) 871-0056 FAX (985) 871-0065

K60-60 GENERAL ARRANGEMENT

DATE:
 1/6/2017

REVISION NO.:
 3.0

CO NO.:

SHEET 2 OF 3

4

3

2

1



4

3

2

1

D

D

C

C

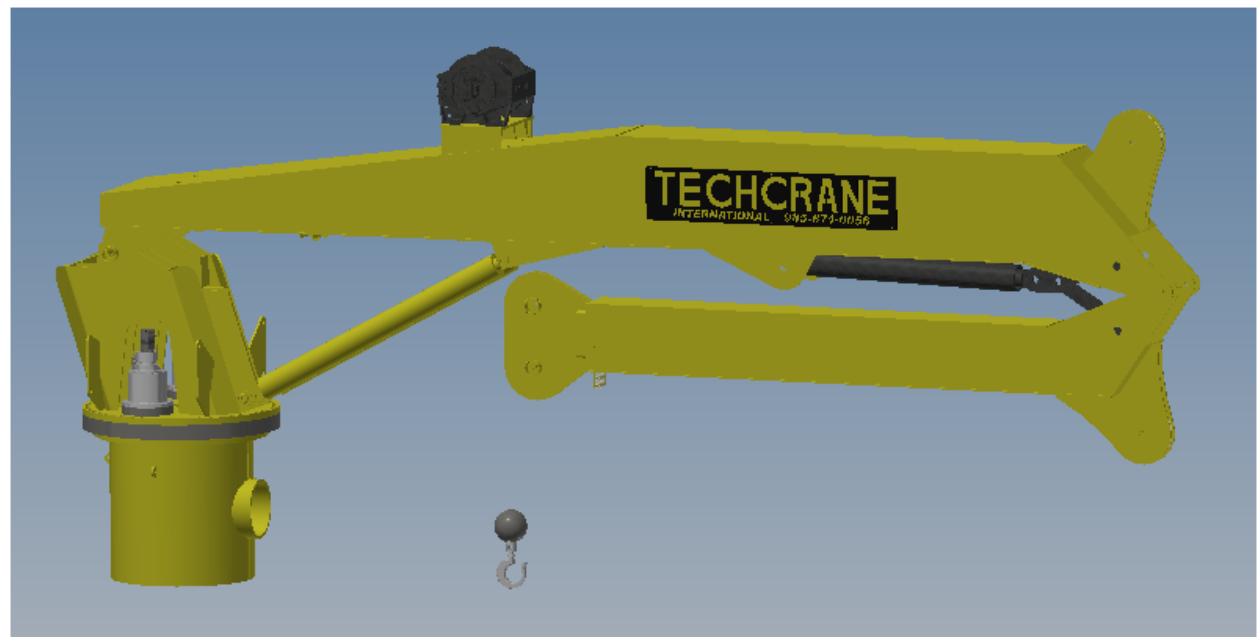
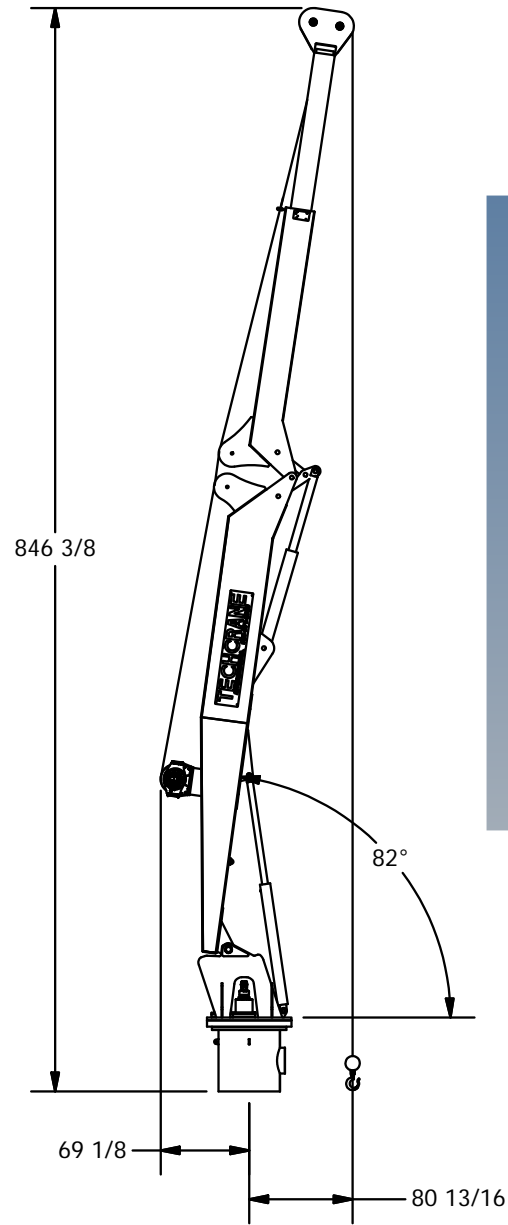
B

B

A

A


TECHCRANE USES OFF THE SHELF - U.S. MADE COMPONENTS COMMON TO TECHCRANE DESIGN.



STOWED POSITION ISO VIEW

BOOM UP FULLY EXTENDED

INFORMATION CONTAINED HEREON IS CONFIDENTIAL AND TRADE SECRET DO NOT DISCLOSE, USE OR REPRODUCE WITHOUT PRIOR WRITTEN APPROVAL FROM TECHCRANE INTERNATIONAL LLC. UNLESS OTHERWISE SPECIFIED ALL DIMENSIONS ARE IN INCHES () INDICATES MILLIMETERS TOLERANCES FRACTIONAL DIMENSIONS + ¹ / ₁₆ -0 SURFACE FINISHES 125√ FILE NAME: C:\WORK\DESIGN\10 RADIK SERIES\K60-2520-15 GENERAL ARRANGEMENT.dwg	DESIGNED BY: F. SHAD	MATERIAL NOTES: 1. ALL NDE TO BE IN ACCORDANCE AND CALIBRATED TO AWS D1.1. 2. BURN PER DIMENSIONS SHOWN. 3. PLATE FLATNESS AFTER BURNING TO BE WITHIN ASTM SPECIFICATIONS. 4. REFER TO API SPEC 2C LATEST EDITION 5. WHERE APPLICABLE - ROLL FORM PER DIMENSIONS SHOWN. 6. WHERE APPLICABLE - TACK WELD AS REQUIRED TO SECURE ROLLED CAN.
	DRAWN BY: lbaylis	
	WEIGHT: 31501 lbmass	
	APPROVED BY: SEE APPROVAL STAMP	
	DESIGN STATE: WorkInProgress	

 TECHCRANE INTERNATIONAL, LLC. 17639 HARD HAT DRIVE COVINGTON, LA. 70435 U.S.A. PHONE (985) 871-0056 FAX (985) 871-0065		
K60-60 GENERAL ARRANGEMENT		
DATE: 1/6/2017	REVISION NO.: 3.0	CO NO.:
SHEET 3 OF 3		

PART/DWG. NO.:
K0060-3020-10-GA

4

3

2

1