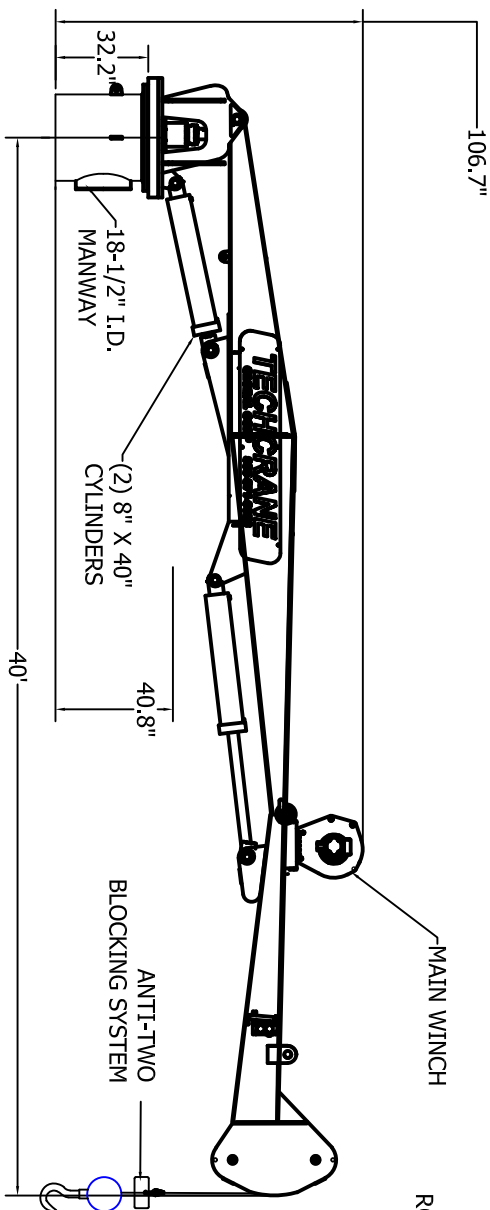


GEARBOX,  
AVAILABLE ON  
EACH SIDE

PLAN VIEW

ISO VIEW  
(COMPLETELY WELDED STRUCTURE)



ROTATION  
C/L

ELEVATION VIEW

- NOTES:
1. BASIC GENERAL ARRANGEMENT. NOT ALL COMPONENTS ARE SHOWN.
  2. APPROX. BASIC CRANE WEIGHT = 10,000 LBS.

DESIGNED BY: D. Shad	INFORMATION CONTAINED HEREON IS CONFIDENTIAL AND TRADE SECRET. DO NOT DISCLOSE, USE OR REPRODUCE WITHOUT PRIOR WRITTEN APPROVAL FROM TECHCRANE GLOBAL CORPORATION.	Techcrane International, LLC
DRAWN BY: J. BOURIG	DIMENSIONS IN INCHES [ ] INDICATES MILLIMETERS	
APPROVED BY/DATE: F. Shad 11/9/2005	DESIGN STATE: Released	K20 Series General Arrangement
PART/DWG. NO.: K20-40	MATERIAL:	
FILE NAME:	DATE: 8/29/2017	REVISION NO.: -
SHEET 1 OF 1		